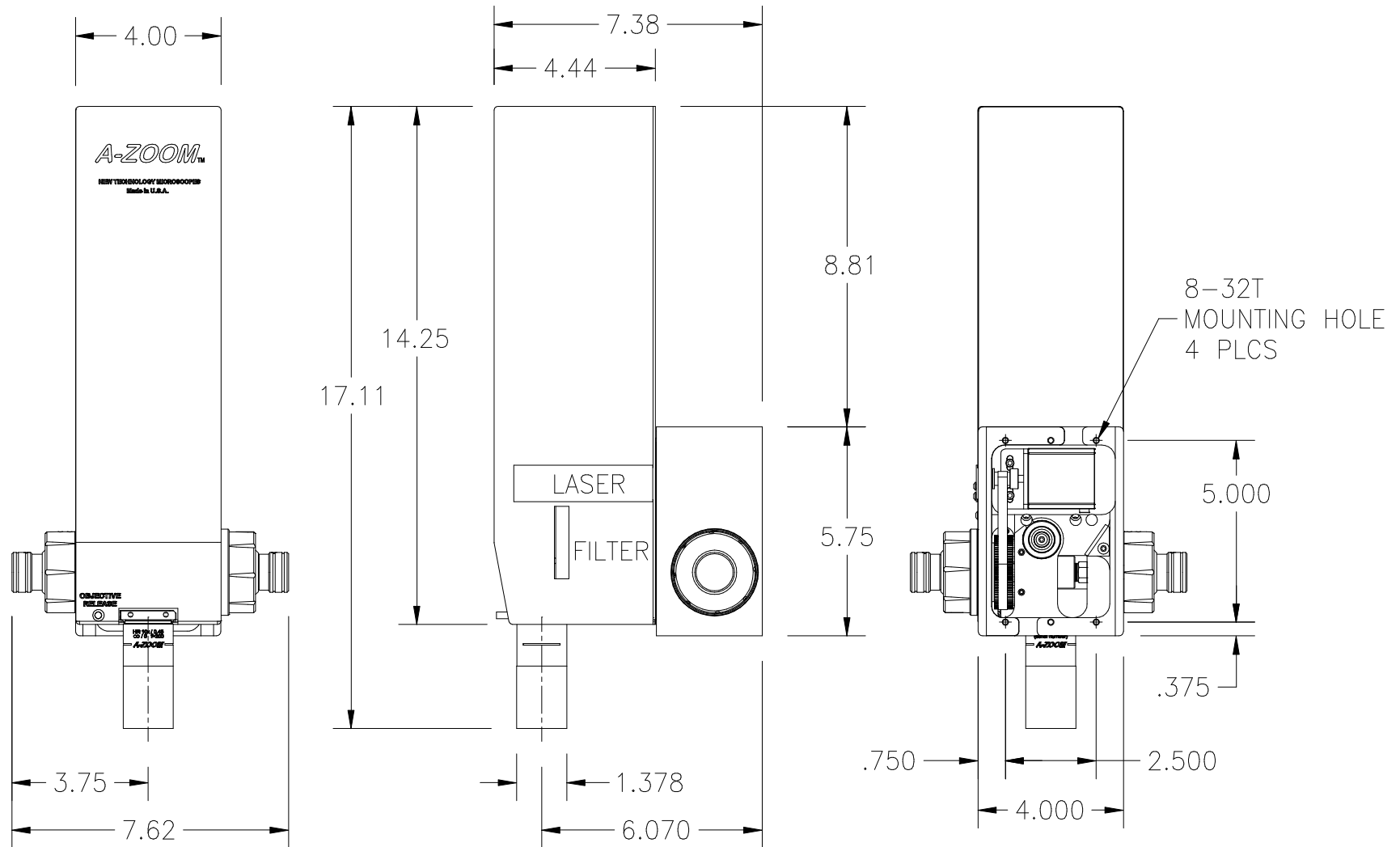


A-ZOOM MECHANICAL SPECIFICATIONS



SCALE: 1/4
REV A 10MR00

