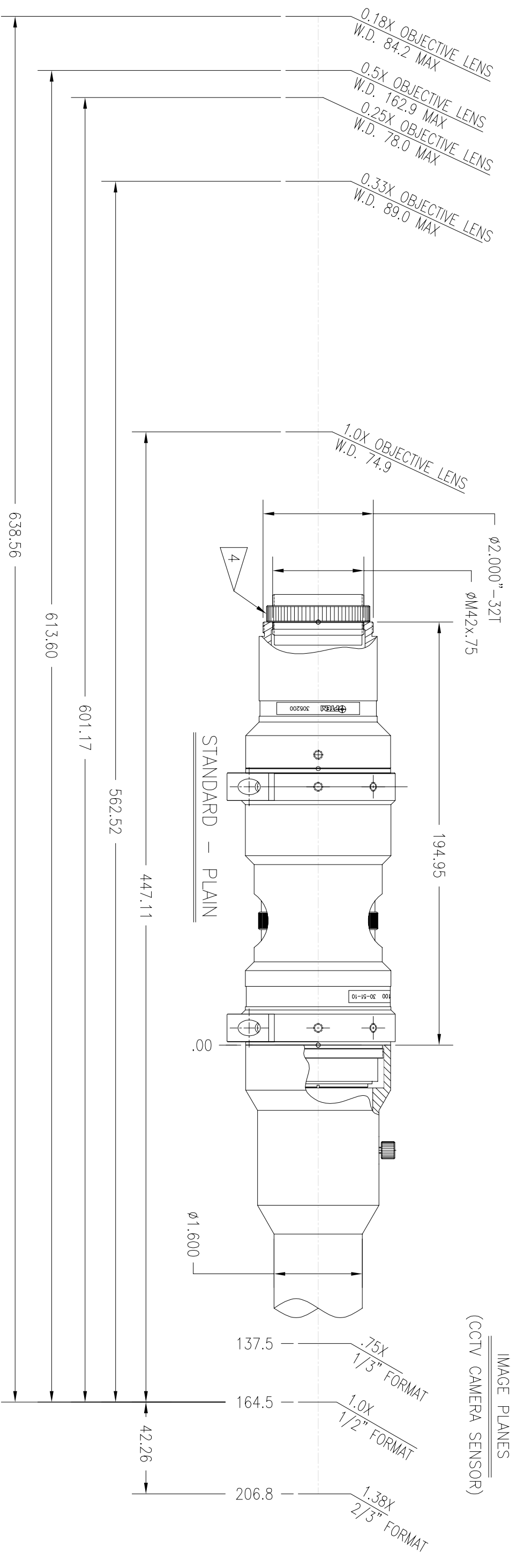



# PTEM ZOOM T100 - 10X TELECENTRIC ZOOM LENS



- NOTES:
1. MAGNIFICATION (1X OBJECTIVE, 1X TUBE) = 0.75X THRU 7.5X.
  2. NA (1X OBJECTIVE, 1X TUBE) = 0.0188 THRU 0.1875
  3. FIELD COVERAGE DEPENDS ON OBJECTIVE LENS, ZOOM SETTINGS, ADAPTER AND CAMERA FORMAT.
  - 4  AN OBJECTIVE LENS IS REQUIRED FOR IMAGE FORMATION.
  5. ALL DIMENSIONS IN mm UNLESS NOTED.

