



A-Zoom  
micro  $\mu$

# A-Zoom $\mu$ <sup>TM</sup> micro

**ANALYTICAL PROBING MICROSCOPE**  
Manual 7:1 Optical Zoom for Functional Simplicity  
and Extended Single-Objective Magnification

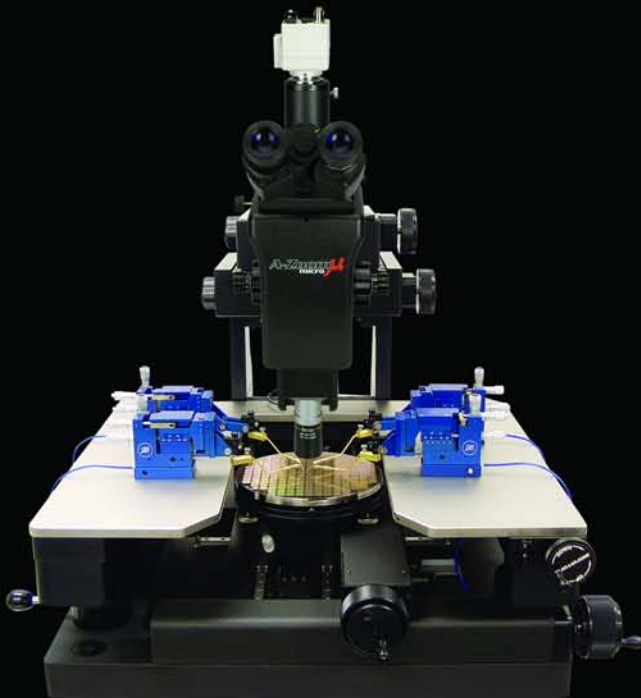
# A-Zoom<sup>μ</sup> micro

## The fusion of simplicity and precision for analytical probing productivity

The New A-Zoom Micro represents the latest addition to the time-tested line of A-Zoom probing microscopes. Designed for streamlined operation and compact integration onto a multitude of probing stations, the A-Zoom Micro offers a high-value solution for circuit board, semiconductor and flat-panel display probing without sacrificing features, function or performance.

With a 7:1 manual zoom range, the A-Zoom Micro when equipped with a single Optem 10X Objective, covers the available magnification range of existing multiple-objective microscopes... and provides imaging access for all fields-of-view in between. On-board LED illumination offers finite adjustability, extended service life, and crisp contrast for crystal-clear imaging.

Choose from a variety of objectives and head/eyepiece options to meet specific imaging needs, and offer greater viewing comfort, flexibility and productivity. The compact, ergonomic design affords 360° access for prober tips and keeps all controls in convenient reach of the operator for maximum imaging throughput.



### Camera Flexibility

Standard 38mm ISO port provides camera flexibility to meet most any prober imaging requirement.

### Matching Fields

Achieve matching eyepiece and on-screen fields-of-view across the entire 7:1 zoom when you equip your standard *A-Zoom Micro* with 1/2-inch cameras.

### On-board LED Illumination

Adjustable 10-watt LED provides crisp contrast for both eyepiece and video viewing without the need for external light source.

### Heavy-Duty Focus Block

The Heavy-duty focus block offers 50mm precision travel to establish fine-focus and provide a stable mounting interface for most any probe station.

### Single-Objective Design

In keeping with its field-proven heritage, *A-Zoom Micro* features a space efficient and user friendly single-objective design to eliminate cumbersome nose turret manipulation and improve throughput. Select from a wide range of Optem Objectives to meet your specific requirements.



optimized for  
**OPTEM**  
OBJECTIVES

(see back page)

QIOPTIQ IMAGING SOLUTIONS





### Trinocular Head Options

A-Zoom Micro comes standard with a fixed trinoc head and 10X eyepieces, offering 50/50 or 100% uni-directional, erect image transmission. Binocular, tilting-eyepiece and camera-only head options are available with a variety of eyepieces to meet your specific imaging needs.

### Ergonomic Design

All magnification adjustments are located along right side of instrument and can be easily adjusted with a single hand.

### Extended Magnification

Instantaneously double your magnification range for quick and easy viewing flexibility using the 2X slider.

### 7:1 Optical Zoom

Engage precision optomechanics with a smooth, graduated zoom dial for precision field-of-view adjustment across an expansive single-objective magnification range.

### Maximize Working Space

The unique single-objective design and compact lower housing combine to offer 360° probe tip access maximizing work space, safeguarding your specimen and maintaining environmental chamber integrity. Optem Objectives further increase space with a generous 95mm parfocal distance from objective shoulder to object plane.

95mm

60°

## A-Zoom Micro Configuration Options

### A-ZOOM MICRO HEAD AND EYEPIECE OPTIONS

**58-01-00-000** ..... Fixed **Trinocular** Head (38mm ISO port), 2.75X, 78mm eyepiece extender

**58-01-25-000** ..... Fixed **Trinocular** Head (38mm ISO port), 2.75X, 130mm eyepiece extender

**58-01-50-000** ..... Fixed **Trinocular** Head (38mm ISO port), 1.8X, 35mm eyepiece extender

**58-02-00-000** ..... Fixed **Binocular** Head, 2.75X, 78mm eyepiece extender

**58-02-25-000** ..... Fixed **Binocular** Head, 2.75X, 127mm eyepiece extender

**58-02-50-000** ..... Fixed **Binocular** Head, 1.8X, 35mm eyepiece extender

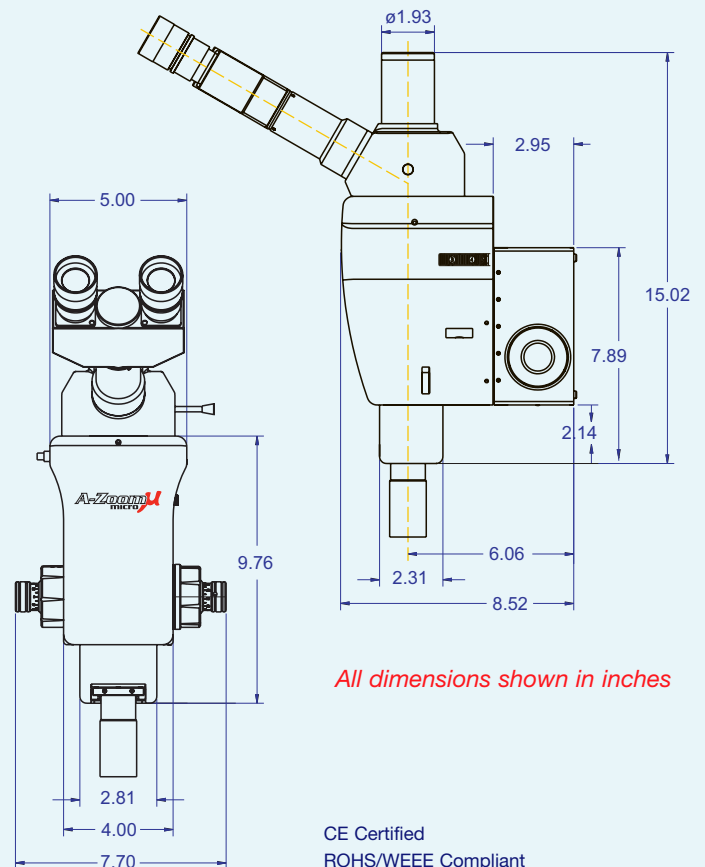
**58-03-00-000** ..... **Tilting Trinocular** Head, 2.75X, 127mm Erecting eyepiece extender

**58-03-25-000** ..... **Tilting Binocular** Head, 2.75X, 127mm Erecting eyepiece extender

**58-04-00-000** ..... 38mm ISO **Camera port ONLY**

**SPECIFY THE OPTEM OBJECTIVE TO MEET YOUR SPECIFIC IMAGING NEEDS.** (Refer to back page)

### System Dimensions (58-01-00-000 shown with Optem 10X/0.45NA high-Resolution Objective)



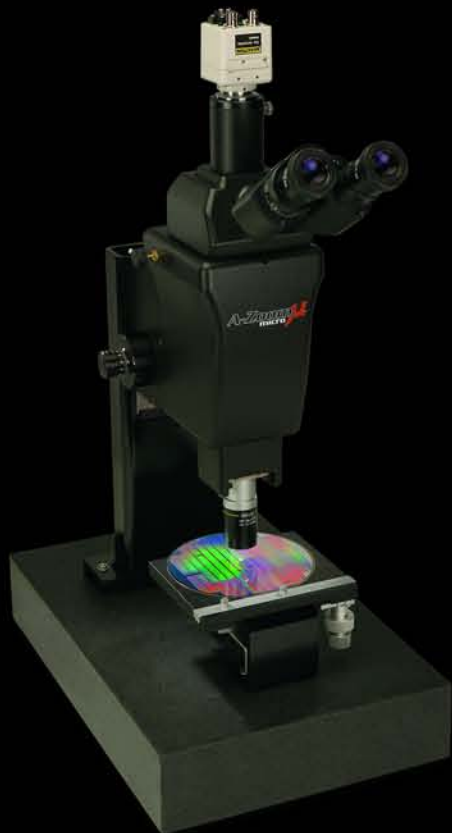
All dimensions shown in inches

CE Certified  
ROHS/WEEE Compliant

## A-Zoom $\mu$ Performance Specifications

Infinity-Corrected Objective	Working Distance	Visual Magnification	Visual Field-of-View ( $\emptyset$ )	Video Field-of-View	
				Low	High
<b>Optem 5X High Res 28-20-44-000</b>	34mm	54X-381X	4.0-0.58mm	2.4x3.2	0.35x0.46mm
<b>Optem 10X High Res 28-20-45-000</b>	19mm	109X-762X	2.0-0.29mm	1.2x1.6	0.17x0.23mm
<b>Optem 20X High Res 28-20-46-000</b>	13mm	218X-1525X	1.0-0.14mm	0.6x0.8	0.09x0.12mm
<b>Optem 2x M-Plan Apo 28-21-02-000</b>	34mm	22X-152X	10.1-1.44mm	6.1x8.1	0.87x1.15mm
<b>Optem 5x M-Plan Apo 28-21-05-000</b>	34mm	54X-381X	4.0-0.58mm	2.4x3.2	0.35x0.46mm
<b>Optem 10x M-Plan Apo 28-21-10-000</b>	34mm	109X-762X	2.0-0.29mm	1.2x1.6	0.17x0.23mm
<b>Optem 20x M-Plan Apo 28-21-11-000</b>	20mm	218X-1525X	1.0-0.14mm	0.6x0.8	0.09x0.12mm
<b>Optem 50x M-Plan Apo 28-21-50-000</b>	13mm	545X-3812X	0.4-0.06	0.24x0.32	0.03x0.05

- Recommended for use with Optem High Resolution Objectives (M-Plan Apo objectives will exhibit empty magnification through much of zoom range)
- Values given assume 2X flip-in is not engaged.
- Camera FOV is calculated with recommended 1/2" sensor format
- When using Widefield eyepiece adapter, Visual FOV is increased by 1.5X factor
- When using Optem 0.67X DC coupler, Camera FOV is increased by 1.5X factor



### HIGH-RESOLUTION OBJECTIVES

- 28-20-44-000 .....5X / 0.225NA / 34mm WD
- 28-20-45-000 .....10X / 0.45NA / 19mm WD
- 28-20-46-000 .....20X / 0.60NA / 13mm WD

### M-PLAN APO, LONG-WORKING OBJECTIVES

- 28-21-02-000 ..... 2X / 0.055NA / 34mm WD
- 28-21-05-000 ..... 5X / 0.14NA / 34mm WD
- 28-21-10-000 .....10X / 0.30NA / 34mm WD
- 28-21-11-000 .....20X / 0.42NA / 20mm WD
- 28-21-50-000 .....50X / 0.55NA / 13mm WD



QIoptiq IMAGING SOLUTIONS

ISO 9001:2000

78 Schuyler Baldwin Drive • Fairport, NY USA 14450-9196 • Tel: (585) 223-2370 • Fax: (585) 223-3413 • www.qioptiqimaging.com