

Dual-Magnification Module

Simultaneously Multiple Views for Your Optem Lens Systems

- Simultaneously image multiple views of a single subject to independent cameras with Optem Zoom 70XL or FMOS Lens Systems
- Achieve exact location and magnification repeatability at two different fixed or variable magnifications
- Instantaneously transmit combinations of fixed and/or zoom magnification images to mixed camera types, formats and/or resolutions
- Mate with all Zoom 70XL, FMOS and Zoom 125C Lower Function Modules for added versatility
- Capture multiple views through a single objective for high-magnification versatility and repeatability



29-90-67-000Dual-Magnification Module

299067-310Coaxial Illumination Block

299066-302M25 x 0.75 Thread Auxiliary Lens Coupler

299066-303Optem/Mitutoyo Objectives Coupler

299066-304FMOS/Zoom 70XL Lower Module Coupler

299066-305Nikon/Olympus Objectives RMS Threads Coupler

299066-306Zoom 125C Lower Module Coupler

Extend the imaging versatility and configuration flexibility of your Optem Zoom 70XL or FMOS Lens system. The NEW Dual-Magnification Module (29-90-67-000) allows you to image a single subject through two independent Upper Lens Modules for simultaneous magnification variability.

Now mix and match camera formats, resolutions, fields-of-view, function and magnifications. Achieve exacting magnification and/or position repeatability with simplicity, economy and space efficiency.

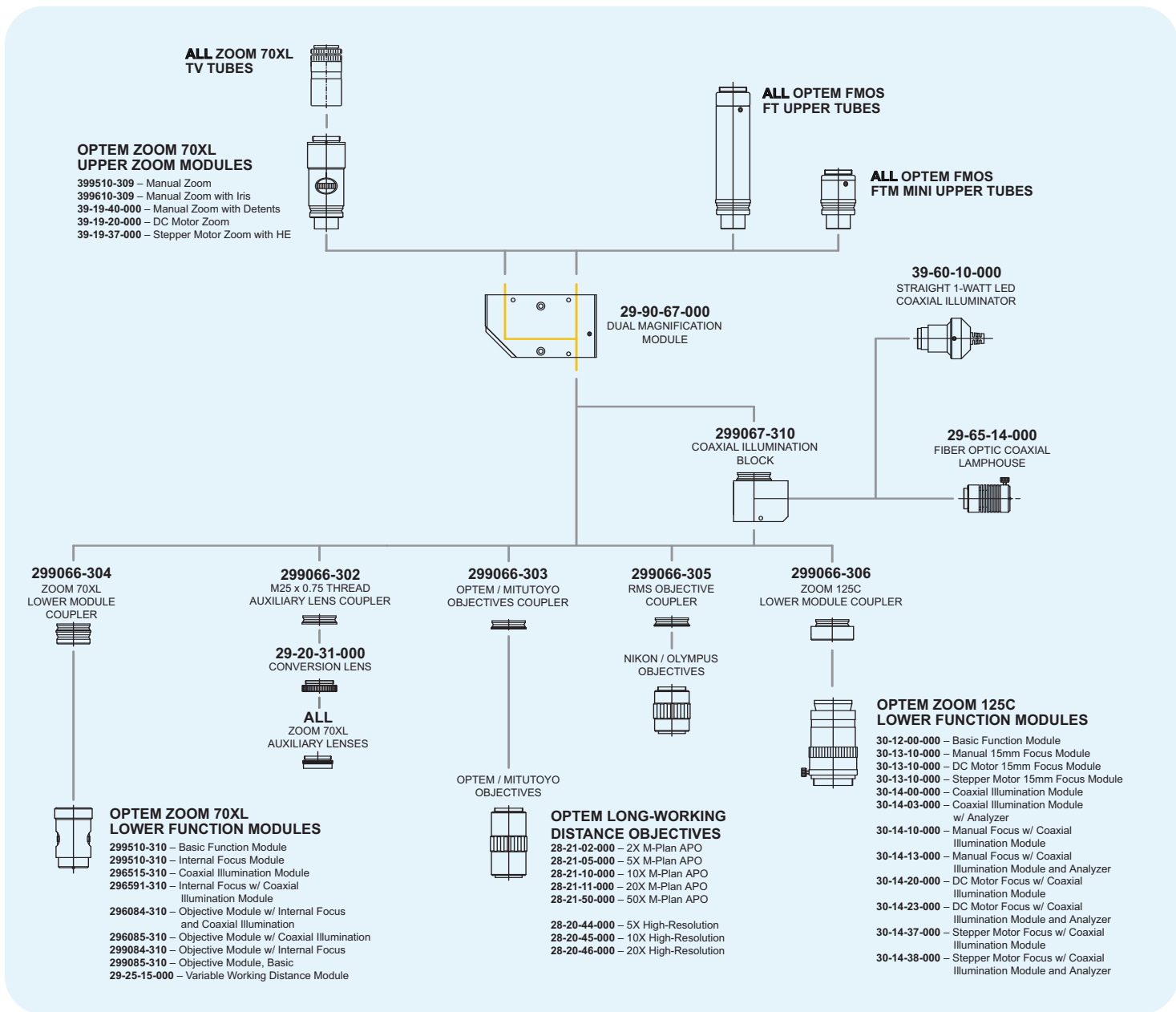
A variety of Lower Module Couplers affords the added flexibility to integrate a myriad of bottom module options including all inherent Zoom 70XL and FMOS Lower Modules, plus the broader selection of Zoom 125C Lower Function Modules for added versatility or polarization (see reverse). An optional Coaxial Block offers compact through-lens illumination.

For added magnification, integrate Zoom 70XL or Zoom 125C Fine Focus Objective Modules, or economize space with direct connectivity to the Objective. The optional Coaxial Illumination Block affords further space savings when coaxial illumination is required.



Dual-Magnification Module Integration Diagram

Refer to the respective Optem Lens Brochures and System Diagrams for detailed component options with the Dual-Magnification Module.



The Optional Coaxial Illumination Block (299067-310) offers compact integration of through-lens illumination via the NEW Optem LED Coaxial Illuminator, or a conventional Fiber Optic Coaxial Lamphouse.

When integrating an Upper Zoom 70XL Lens, best results are achieved in placing the Upper Zoom module directly over the lower module and utilizing FMOS Upper tubes above the secondary offset position. Some larger-format cameras may experience varying degrees of vignetting at low magnifications when combined with longer Lower Function Modules. It is recommended to integrate the Dual-Mag Module with FMOS Upper Tubes higher than FT60 to avoid

vignetting. Contact Qioptiq Imaging to determine if your desired combination may encounter vignetting.

As with Optem Lens Systems, the Dual-Mag Module is designed for use with 1-in format, C-mount cameras (or smaller). When maximum fields-of-view are required, Zoom 125C bottom modules are recommended. The Dual-Mag Module itself features tapped and counterbored mounting holes for streamlined mechanical integration with improved image stability.

Contact Qioptiq Imaging Solutions or the authorized Optem Lens dealer nearest you for more details and pricing.



Qioptiq Imaging Solutions

78 Schuyler Baldwin Drive
Fairport, NY 14450, USA
ph: (585) 223-2370
fx: (585) 223-3413

www.qioptiqimaging.com